



WoodworkX Unlimited Inc.
 103 N 13th Street
 Fort Pierce, FL 34950
 OFFICE : 772-882-4197
 FAX: 772-264-0100
 wwxorders@gmail.com

EMAIL TO wwxorders@gmail.com or FAX 772-264-0100

ORDER

QUOTE

Dovetail Drawer Box Order Form

Company: _____ Date: _____

Ordered By: _____ Phone: _____

Job Name / P.O. # _____

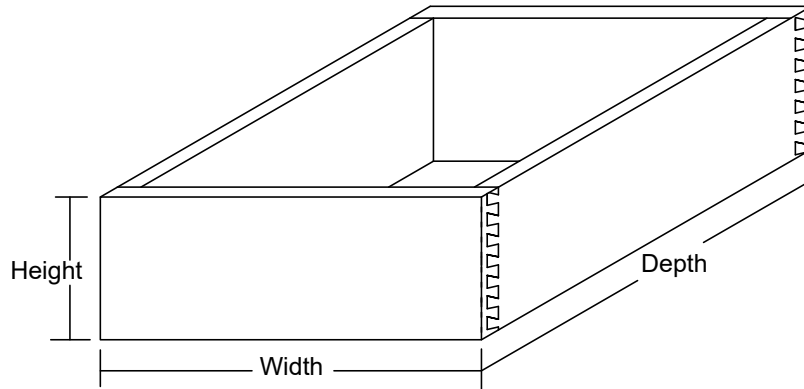
Ship to Address: _____

Address: _____

City: _____ State: _____ Zip: _____

City: _____ State: _____ Zip: _____

Shipping Method: Our Truck Pickup



Notch for Undermount Slides

Do not Notch

Bottom:

1/4" Maple Standard

1/2" Maple

QTY	Finished Sizes Only			Special Instructions	QTY	Finished Sizes Only			Special Instructions
	Height	Width	Depth			Height	Width	Depth	
1					16				
2					17				
3					18				
4					19				
5					20				
6					21				
7					22				
8					23				
9					24				
10					25				
11					26				
12					27				
13					28				
14					29				
15					30				

Notes:

NOTE: ALL PAYMENTS ARE DUE UPON RECEIPT